

C H E S T F R E E Z E R S

INSTRUCTIONS MANUAL FOR USE AND MAINTENANCE

W A R N I N G

IF YOUR NEW APPLIANCE HAS A LOCK, KEEP IT LOCKED AND STORE THE KEY IN A SAFE PLACE, OUT OF THE REACH OF CHILDREN.

IF YOU ARE DISCARDING AN APPLIANCE WITH LOCK OR SELF LOCKING DEVICE, MAKE SURE THAT IT IS MADE INEFFECTIVE.

THIS PRECAUTION IS VERY IMPORTANT SO AS TO AVOID CHILDREN BEING TRAPPED INSIDE, WHICH MAY CAUSE THEIR LOSS OF LIFE.

INSTALLATION

THE APPLIANCE SHOULD BE LOCATED IN A WELL VENTILATED, DRY PLACE, NOT SO COLD AND FAR FROM DIRECT SUNLIGHT AND HEAT SOURCES. SO YOUR FREEZER WILL OPERATE MORE ECONOMICALLY.

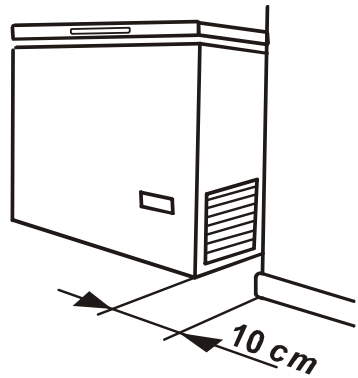
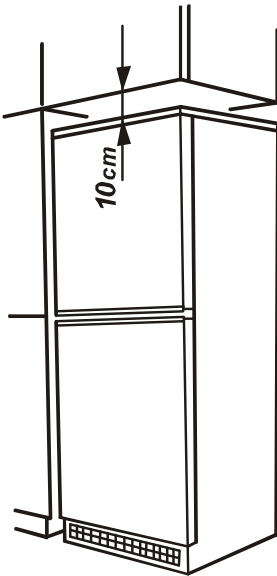
WOODEN BOTTOM CAN BE TAKEN OFF BY UNSCREWING TWO SCREWS WHICH ATTACH IT FOR FREEZER BOTTOM.

THE APPLIANCE SHOULD STAND LEVELED.

A SMALL GAP OF 2-3 cm SHOULD BE LEFT BETWEEN THE APPLIANCE AND THE BACK WALL, IF THE CONDENSER IS ASSEMBLED EXTERNALLY TO THE BACK SIDE OF THE APPLIANCE.

CLEAN INTERIOR OF APPLIANCE USING A SPONGE AND SOLUTION OF BICARBONATE OF SODIUM IN LUKEWARM WATER. THEN DRY IT THOROUGHLY.

TO ALLOW CORRECT FUNCTIONING OF APPLIANCE WITH SIDE VENTILATION GRILLE, LEAVE A MINIMUM SPACE OF 10 cm, BETWEEN APPLIANCES AND ADJACENT WALL.



ELECTRICAL CONNECTIONS

ENSURE THAT THE VOLTAGE INDICATED ON THE RATING PLATE, USUALLY AT THE REAR OF THE APPLIANCE MATCHES WITH THE VOLTAGE OF YOUR ELECTRICITY SUPPLY.

WARNING: THE REGULATION REQUIRES THAT THIS APPLIANCE MUST BE SURELY AND EFFECTIVELY GROUNDED. THE MANUFACTURER DECLINES ALL RESPONSIBILITY FOR ANY DAMAGES CAUSED TO PERSONS, ANIMALS AND THINGS, SHOULD THIS RULE NOT BE OBSERVED.

START UP

THE APPLIANCE SHOULD BE LEFT TO STAND FOR AT LEAST ONE HOUR BEFORE CONNECTING IT TO THE POWER SUPPLY. WHEN YOU PLUG IN APPLIANCE THE GREEN LAMP WILL LIGHT, THAT MEANS THAT FREEZER IS READY. IF THERMOSTAT KNOB IS NOT SET ON POSITION OFF OR STOP, FREEZER WILL START TO WORK.

INITIALLY THE NOISE FROM COMPRESSOR MAY BE RATHER LOUD, BUT THIS WILL GRADUALLY DIMINISH WITH USE.

CHECK FOR THOSE APPLIANCES WHICH ARE PROVIDED WITH A LAMP WHICH GOES ON AT THE OPENING OF THE LID.

NOTE: MODEL SC0-15 HAS NO INTERNAL LAMP.

TEMPERATURE SETTINGS

THE CORRECT INTERNAL TEMPERATURE OF THE APPLIANCE IS AUTOMATICALLY MAINTAINED BY THERMOSTAT. THIS REGULATOR IS SET AT THE FACTORY FOR STANDARD AMBIENT TEMPERATURES (FREEZER SHOULD NOT BE LOCATED IN AMBIENT WITH TEMPERATURE LOWER THEN $+5^{\circ}\text{C}$).

TO HAVE DEEPER FREEZING TEMPERATURE, TURN THE THERMOSTAT KNOB CLOCKWISE TOWARDS THE HIGHER NUMBERS. THE SETTING OF THE INTERNAL TEMPERATURE MUST CONSIDER SEVERAL FACTS SUCH AS: AMBIENT TEMPERATURE, THE FREQUENCY OF DOOR OPENING, THE QUANTITY OF FOOD STORED TO BE REFRIGERATED OR FROZEN.

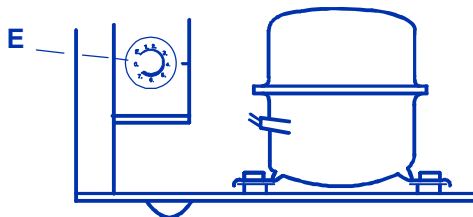
FOR CHEST FREEZERS SHOWING AN “E” ON CONTROL PANEL, THE REGULATOR MAY BE ADJUSTED TO THIS LETTER WHEN THE LEVEL OF FROZEN FOOD IS BELOW THE LOWER LOAD, LINE INDICATOR IN ORDER TO OBTAIN CONSIDERABLE ENERGY SAVINGS.

NEVER LOAD THE FREEZER ABOVE MAX LOAD LINE INDICATOR.

CONTROL PANEL

MODEL OF 150 L

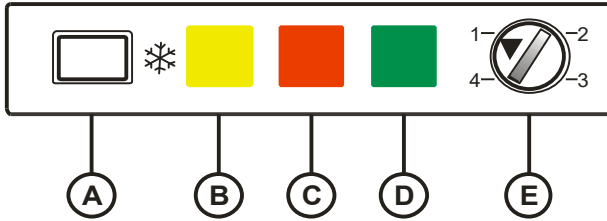
THIS MODEL HAS THERMOSTAT MOUNTED AT THE REAR OF APPLIANCE.



THERMOSTAT KNOB SHOULD BE SET ON MEDIUM POSITION FOR OPTIMAL FREEZING. TO OBTAIN HIGHER TEMPERATURE, TURN THE KNOB COUNTER CLOCKWISE TOWARD LOWER NUMBERS.

MODELS OF 200/300/400/500 lit. and SI KZ 30/40

THESE MODELS HAVE THERMOSTAT MOUNTED AT THE FRONT OF APPLIANCE.



A – FAST FREEZING BUTTON: IT TURNS ON COMPRESSOR FOR CONTINUOUS RUNNING MAKING YELLOW LAMP GOES ON.

B – YELLOW LAMP: WHEN ON, IT INDICATES CONSTANT COMPRESSOR RUNNING.

C – RED LAMP: WHEN ON, INDICATES THAT TEMPERATURE INSIDE THE UNIT IS NOT SUFFICIENTLY LOW. THIS MAY BE CAUSED BY THE FOLLOWING:

- THE APPLIANCE HAS JUST BEEN STARTED,
- DOOR OPENED,
- FRESH FOODSTUFF HAS JUST BEEN LOADED.

IF ANY OF ABOVE OCCURRED, RED LIGHT WILL AUTOMATICALLY SWITCH OFF IN 15-30 MINUTES.

D – GREEN LAMP: INDICATES THAT THE APPLIANCE IS POWERED.

E – THERMOSTAT KNOB: TO OBTAIN LOWER TEMPERATURE TURN THE KNOB CLOCKWISE TOWARDS HIGHER NUMBERS AND VICE VERSA.

TO TURN THE APPLIANCE OFF, YOU NEED TO POSITION THERMOSTAT KNOB ARROW BETWEEN 1 AND 4 IN THE MIDDLE.

DEFROSTING

IT IS NECESSARY TO PROCEED TO THIS OPERATION EVERY TIME THAT FROST HAS REACHED A THICKNESS OF 4-5 mm (FROST ACTS AS INSULATION THUS REDUCING THE APPLIANCE PERFORMANCE).

PROCEED AS FOLLOWS:

- 24 HOURS BEFORE DEFROSTING, SET THERMOSTAT KNOB TO THE COLDEST POSITION OR SWITCH ON FAST FREEZING (ORANGE LAMP GOES ON) TO GET THE FOODSTUFF AS MUCH FROZEN AS POSSIBLE;
- WRAP FROZEN FOODSTUFF IN PAPER PLACING THEM IN REFRIGERATOR OR COOL ROOM;
- DISCONNECT PLUG FROM SOCKET;
- LEAVE LID OPENED;
- TO SPEED UP THE PROCESS, YOU MAY SCRAPE APPLIANCE WALLS WITH A PLASTIC SCRAPER. NEVER USE SHARP METAL OBJECTS OR HEATERS.
- WHEN DEFROST IS COMPLETED, CLEAN AND DRY INTERIOR.

IMPORTANT: SOME CHEST FREEZERS HAVE A WATER DRAIN WHICH ALLOWS AN EASIER DEFROSTING OPERATION.

USUALLY THIS DRAIN IS TO BE FOUND ON THE LOWER SECTION OF THE BACK WALL AND IT IS CLOSED BY A T SHAPED PLUG. DURING DEFROST THIS PLUG HAS TO BE REMOVED. IT CAN BE ROTATED AND ITS TUBULAR SECTION REINSERTED IN THE DRAIN HOLE. THIS WAY WATER WILL FLOW OUT AND CAN BE MORE EASILY COLLECTED IN A SHALLOW PAN. ONCE DEFROST IS COMPLETED, REINSERT PLUG IN ITS ORIGINAL POSITION.

- AFTER DEFROSTING, PUT FOODSTUFF BACK IN THE FREEZER.
- CLOSE THE LID AND DO NOT OPEN IT FOR NEXT 4-5 HRS.
- CONNECT POWER CORD AGAIN.
- TURN FAST FREEZING ON.
- AFTER 4-5 HRS, TURN FAST FREEZING OFF.

MAINTENANCE

ALWAYS DISCONNECT APPLIANCE FROM THE ELECTRICITY SUPPLY BEFORE YOU START CLEANING.

CLEAN THE OUTSIDE OF APPLIANCE WITH A SOFT DRY CLOTH.

IT IS ADVISABLE TO SPONGE THE INTERIOR WITH A SOLUTION OF BICARBONATE OF SODA IN LUKEWARM WATER. THE VENTILATION GRILL AND THE CONDENSER SHOULD ALSO BE CLEANED FROM TIME TO TIME, BUT AT LEAST TWICE A YEAR WITH A SOFT BRUSH OR A VACUUM CLEANER. DO NOT USE ABRASIVE DETERGENTS OR SOAP.

IF THE APPLIANCE IS NOT TO BE USED FOR LONG PERIODS OF TIME, IT IS ADVISABLE TO DISCONNECT IT, DEFROST AND CLEAN IT. LEAVE THE LID SLIGHTLY OPEN TO KEEP THE CABINET FRESH.

FOODSTUFF STORAGE AND FREEZING

THE PERIODS OF STORAGE ARE STRICTLY RELATED TO THE STORAGE TEMPERATURES. CHANGES IN STORAGE TEMPERATURE WILL REFLECT ON THE TIME OF STORAGE.

IN CASE OF POWER FAILURE, DO NOT OPEN LID. THE STORED FOODSTUFF WILL BE MAINTAINED FOR 35 IN STANDARD FREEZER AND 54 HRS IN SUPER INSULATED. HOWEVER, THEY MUST BE USED WITHIN ONE MONTH. FOR LONGER POWER FAILURES, WRAP FROZEN FOODSTUFF IN PAPER AND PLACE THEM IN REFRIGERATED OR COOL PLACE.

IT IS, HOWEVER, ADVISABLE TO USE THE FROZEN FOODSTUFF WITHIN 24 HRS OR TO COOK THEM AND SUBSEQUENTLY FREEZE THEM.

TO FREEZE FRESH FOODSTUFF IT IS ADVISABLE TO:

MAKE SURE THAT THERE IS SUFFICIENT SPACE IN THE FREEZING COMPARTMENT
REMOVE FROZEN FOODSTUFF FROM FREEZING TO STORAGE COMPARTMENT
SET THERMOSTAT KNOB ON FAST FREEZE POSITION AT LEAST 2-3 HRS BEFORE LOADING FRESH FOODSTUFFS. 24 HRS AFTER HAVING LOADED FRESH FOODSTUFF RESET TO STORAGE TEMPERATURE SETTING.

TO FREEZE FRESH FOODSTUFF IT IS ADVISABLE TO:

- MAKE SURE THAT THERE IS SUFFICIENT SPACE IN THE FREEZING COMPARTMENT;
- REMOVE FROZEN FOODSTUFF FROM FREEZING TO STORAGE COMPARTMENT;
- SET THERMOSTAT KNOB ON FAST FREEZE POSITION AT LEAST 2-3 HRS BEFORE LOADING FRESH FOODSTUFFS;
- PLACE FOODSTUFFS (PREVIOUSLY MADE READY IN FOILS OR DISHES) TO BE IN TOUCH WITH FREEZING COMPARTMENT WALLS OR BOTTOM, SEPARATED AMONG ROWS IF POSSIBLE;
- FRESH FOODSTUFFS ARE NOT TO BE IN TOUCH WITH ALREADY FROZEN ITEMS;
- CLOSE THE LID AND DO NOT OPEN IT FOR NEXT 24 HRS.

YOU MAY TURN FAST FREEZING OFF AFTER 15 HRS TO SAVE SOME ENERGY.

FREEZING CAPACITY:

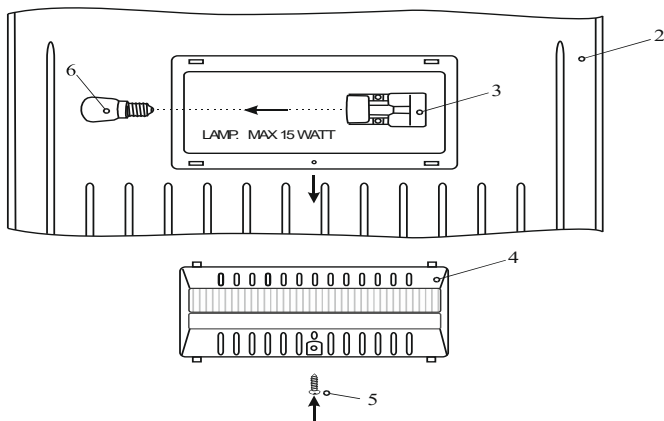
MAXIMUM QUANTITY OF FRESH FOODSTUFF TO BE FROZEN IN 24 HRS IS SHOWN ON THE RATING LABEL:

| | |
|-----------------|-------------|
| 140 LITERS..... | 8 kg/24h |
| 200 LITERS..... | 14.5 kg/24h |
| 300 LITERS..... | 19 kg/24h |
| 400 LITERS..... | 26 kg/24h |
| 500 LITERS..... | 32 kg/24h |
| SI KZ 30 | 16 kg/24 h |
| SI KZ 40 | 21 kg/24 h |

FREEZING TIME AND ENERGY CONSUMPTION WILL BE SIGNIFICANTLY REDUCED IF QUANTITIES ARE LESS THAN ABOVE SPECIFIED.

NOTE: RED LAMP MAY SWITCH ON NOT ONLY IN CASE OF INSUFFICIENT FREEZING POINT INSIDE THE UNIT BUT ALSO WHEN THE LID IS OPENED FOR A LONGER PERIOD OF TIME OR IT IS NOT PERFECTLY CLOSED, AFTER THE UNIT OPERATION STOPPAGE, OR WHEN FOODSTUFF IS BEING LOAD. ONCE THE TEMPERATURE INSIDE THE UNIT BECOMES NORMAL AGAIN, THE RED LAMP WILL GOES OFF.

1. THIS APPLIANCE IS NOT INTENDED FOR USE BY PERSONS (INCLUDING CHILDREN) WITH REDUCED PHYSICAL, SENSORY OR MENTAL CAPABILITIES, OR LACK OF EXPERIENCE AND KNOWLEDGE, UNLESS THEY HAVE BEEN GIVEN SUPERVISION OR INSTRUCTION CONCERNING USE OF THE APPLIANCE BY A PERSON RESPONSIBLE FOR THEIR SAFETY. CHILDREN SHOULD BE SUPERVISED TO ENSURE THAT THEY DO NOT PLAY WITH THE APPLIANCE.
2. WARNING – Do NOT USE ELECTRICAL APPLIANCES INSIDE THE FOOD STORAGE COMPARTMENTS OF THE APPLIANCE, UNLESS THEY ARE OF THE TYPE RECOMMENDED BY THE MANUFACTURER
3. DO NOT STORE EXPLOSIVE SUBSTANCES SUCH AS AEROSOL CANS WITH A FLAMMABLE PROPELLANT IN THIS APPLIANCE
4. THIS APPLIANCE IS INTENDED TO BE USED IN HOUSEHOLD AND SIMILAR APPLICATIONS (LIST).
5. WAY OF REPLACING THE LIGHT BULB BY CUSTOMER’S SIDE.



REPLACEMENT PROCEDURE :

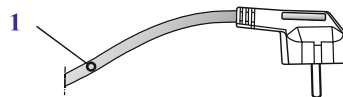
- 1 - Turn off the power cable (1) from the network.
- 2 - Remove bolt (5).
- 3 - Press the diffuser in arrow direction and pull tabs from the holes of the plastic interior lid.
- 4 - Unscrew the light bulb (6) then repeat the steps in reverse direction.

LEGEND OF ITEMS:

- 1 - Power cable
- 2 - Lid
- 3 - Socket bulb
- 4 - Diffuser
- 5 -Screw A 3,5 x 13
- 6 - Bulb E14, max 15 W

NOTE:

In case of need replacement power cord must be replaced by authorized professional person.



6. A LOCKABLE LOCK ON THE HANDLE OF THE LID IS MADE WITH TWO INDEPENDENT ACTIONS (COMBINATION OF PRESSURE AND TURN) WHICH GUARANTEES THE SAFETY FROM AUTOMATIC LOCKING, UNLESS IT'S NOT PROVIDED SOME OTHER TYPE OF THE LOCK THAT DOESN'T INCLUDE THE LOCKING.

SOME USEFUL TIPS

- AFTER CLOSING THE LID, WHEN THE UNIT RUNS, THERE MAY BE SUB PRESSURE INSIDE CAUSING HARD OPENING, SO YOU NEED TO WAIT FOR A WHILE OR PUSH THE GASKET TO MAKE PRESSURE BALANCE FASTER. NOW YOU CAN OPEN THE LID. THERE ARE TWO TYPES OF HANDLE:

- ❖ BUILT-IN (POCKET-TYPE) HANDLE;
- ❖ OUTER (STANDARD-TYPE) HANDLE WITH LOCK AND KEY, FOR WHICH IS HIGHLY RECOMMENDED TO PROCEED AS DESCRIBED ABOVE TO PREVENT ITS BRAKING OR DAMAGE.

- IF GREEN LAMP IS OFF, PRESS FAST FREEZING BUTTON. IF ORANGE LAMP DOESN'T GO ON TOO, THERE IS NO POWER SUPPLY. IN THAT CASE, YOU SHOULD:

- ❖ TO CHECK YOUR ELECTRICAL INSTALLATION AND FUSES
- ❖ IN CASE OF POWER CORD DAMAGE, IT HAS TO BE REPLACED BY QUALIFIED

PERSON WITH MATCHING ONE, L-1550 mm, 3x0,5mm² IN SECTION.

IF ORANGE LAMP GOES ON, IT MEANS THAT GREEN LAMP IS GET OVER AND YOUR FOODSTUFF IS NOT ENDANGERED.

- POOR COOLING I.E. FREEZING:

- ❖ TOO MANY FOODSTUFF LOADED ALL AT ONCE
- ❖ THICK FROST
- ❖ REAR SIDE OF CONDENSER NOT CLEANED
- ❖ THE UNIT IS TOO NOISE
- ❖ THE UNIT IS TOO CLOSE TO THE WALL

- IF YOUR APPLIANCE IS PLACED IN A CELLAR OR STORE ROOM, IT IS RECOMMENDED TO KEEP WOODEN PALETTE UNDER THE UNIT.

IF ANY PROBLEM OCCURRED YOU MAY NOT FIND IN THIS MANUAL, PLEASE CONTACT OUR SERVICE AGENTS. WHEN YOU REPORT A DEFECT OR MALFUNCTION, YOU MUST ALWAYS INDICATE MODEL NO OF THE UNIT.